

Traditional Dewatering for the Future

LARSSON™ Rotary vacuum filter is specially designed for dewatering starch slurry and to meet the high hygienic standards of today.

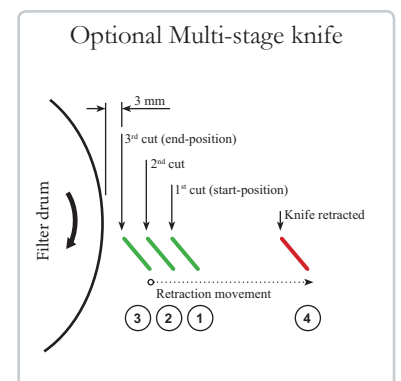
The starch is applied as a thin film on the drum and is then scraped of by the discharge knife for further transport to a dryer. The optional multi-stage movement of the knife guarantees a “long lifetime” of the pre-coat layer and a constant dry substance of the cake. The LARSSON™ Rotary vacuum filter is equipped with an effective down wash system.

Different sizes of LARSSON™ Rotary vacuum filters ensure a filter for every application and capacity.

We supply filters from 6 m² up to 60 m²

LARSSON™ Rotary vacuum filters can be equipped with different options such as:

- High pressure cleaning of drum
- Multi-stage knife movement
- Screw- or belt conveyor



LARSSON™ Rotary Vacuum Filter

GL13 | GL22 | GL32

Technical Information

LARSSON™ Rotary vacuum filters are fabricated of stainless steel AISI 304 (EN 1.4301).

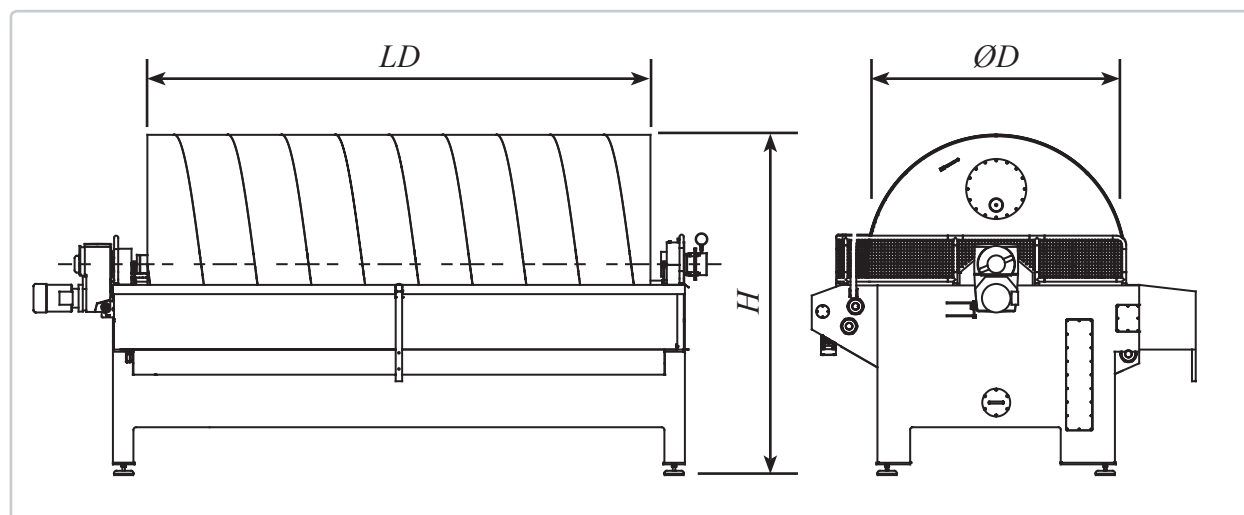
All components which are in contact with the product, are fabricated of stainless steel AISI 316 (EN 1.4401).

LARSSON offer various sizes to meet different flow capacity requirements.

For further technical information, contact LARSSON.

| Model | Dewatering area | Capacity * Potato starch | Capacity * Tapioca starch | ØD | LD | H |
|------------|-------------------|-----------------------------|------------------------------|------|------|------|
| GL32/60-60 | 60 m ² | 24000 kg/h | 12000 kg/h | 3250 | 6000 | 3950 |
| GL32/55-55 | 55 m ² | 22000 kg/h | 11000 kg/h | 3250 | 5500 | 3950 |
| GL32/50-50 | 50 m ² | 20000 kg/h | 10000 kg/h | 3250 | 5000 | 3950 |
| GL32/45-45 | 45 m ² | 18000 kg/h | 9000 kg/h | 3250 | 4500 | 3950 |
| GL32/40-40 | 40 m ² | 16000 kg/h | 8000 kg/h | 3250 | 4000 | 3950 |
| GL22/50-34 | 34 m ² | 13600 kg/h | 6800 kg/h | 2240 | 5000 | 2940 |
| GL22/45-31 | 31 m ² | 12400 kg/h | 6200 kg/h | 2240 | 4500 | 2940 |
| GL22/40-27 | 27 m ² | 10800 kg/h | 5400 kg/h | 2240 | 4000 | 2940 |
| GL22/35-24 | 24 m ² | 9600 kg/h | 4800 kg/h | 2240 | 3500 | 2940 |
| GL22/30-20 | 20 m ² | 8000 kg/h | 4000 kg/h | 2240 | 3000 | 2940 |
| GL22/25-17 | 17 m ² | 6800 kg/h | 3400 kg/h | 2240 | 2500 | 2940 |
| GL13/30-12 | 12 m ² | 4800 kg/h | 2400 kg/h | 1285 | 3000 | 1985 |
| GL13/25-10 | 10 m ² | 4000 kg/h | 2000 kg/h | 1285 | 2500 | 1985 |
| GL13/20-8 | 8 m ² | 3200 kg/h | 1600 kg/h | 1285 | 2000 | 1985 |
| GL13/15-6 | 6 m ² | 2400 kg/h | 1200 kg/h | 1285 | 1500 | 1985 |

*) Native starch kg/h



G. Larsson Starch Technology AB, P.O. Box 89, SE-295 21 Bromölla, Sweden.

Visiting and delivery address: Kråkeslättvägen 8, SE 295 39 Bromölla, Sweden.

Phone: +46 456 48660, Telefax +46 456 22690,

E-mail: larsson@larssonsweden.com, Website: www.larssonsweden.com