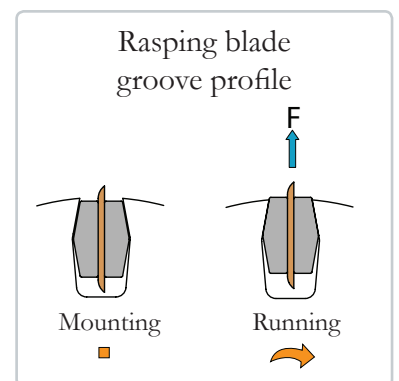


The Best Rasper On the Market

LARSSON rasper has a compact design that reduces weight and more service space around the rasper is obtained. The rotor design is kept by means of larger rotor diameter that incorporates the patented groove profile for the raspering blades. The profile makes it possible to place a greater number of raspering blades into the same diameter compared to the conventional profile. The raspering blades are clamped between two steel profiles, which allows them to be turned over or replaced rapidly. With the large rotor diameter LARSSON is able to maintain the high velocity for the raspering blades at a lower motor speed. Several benefits are then achieved; reduced centrifugal force gives less stress in the material, greater number of raspering blades in the rotor increases the time between changing the blades and also increases starch extraction. Direct drive means less transmission losses and reduced power consumption. The LARSSON[™] rotor is reversible which increases raspering blade service life.

The new LARSSON design is also the most service friendly rasper on the market. Available in widths from 400 up to 1000 mm and motor sizes up to 500 kW.



LARSSON™ Rasper

GL1000

Technical Information

Rotor

The large diameter rotor is mounted on the shaft using clamp couplings. The outer rotor ring is made from forged high quality stainless steel, which is then x-rayed.

The rotor is equipped with 204 rasping blades.

The rotor housing is made of 30 mm solid stainless steel.

Shaft/bearings

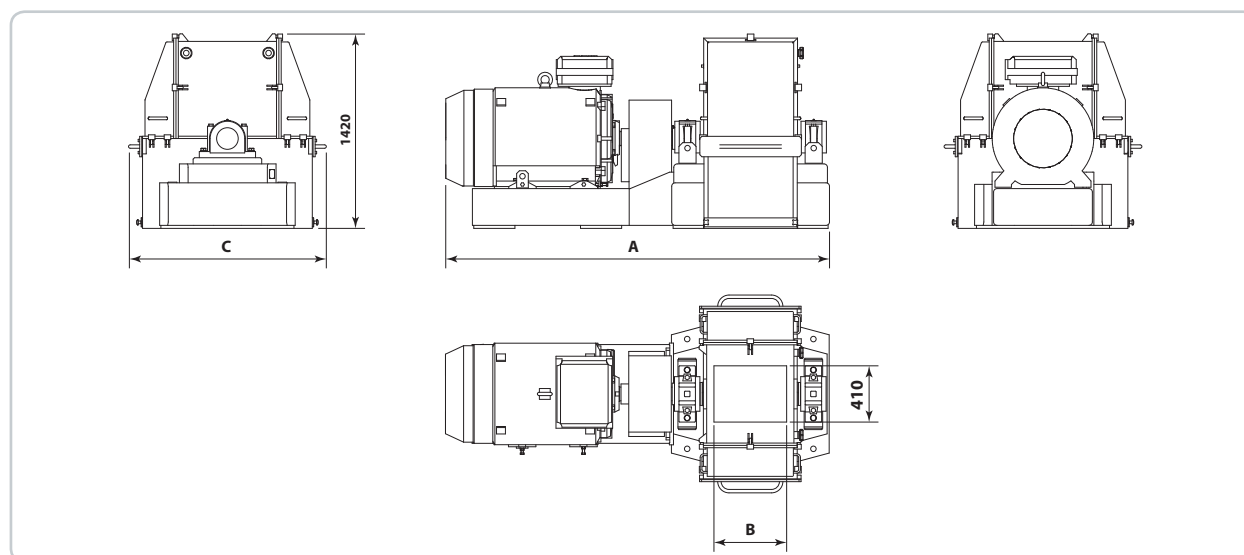
The rotor is rotating in two standard bearings. Each side of the bearing housing is fitted with radial seals in combination with replaceable chrome shaft sleeves.

Motor drive

Direct drive to the rotor by means of a tyre coupling. The rotor is reversible

Motor and rotor are mounted on a common frame made of stainless steel.

GL1000/	Power [kW]	Weight [kg]	Max capacity Potato [ton/h]	Max capacity Tapioca [ton/h]	A	B	C
400	160-200	3610	33	20	2300	330	1445
500	200-250	4650	41	25	2700	430	1445
600	250-315	4870	50	32	2900	530	1445
800	355-450	6120	67	43	3100	730	1445
1000	450-500	8000	83	50	3650	930	1600



For further technical information, contact LARSSON.



G. Larsson Starch Technology AB, P.O. Box 89, SE-295 21 Bromölla, Sweden.

Visiting and delivery address: Kråkeslättvägen 8, SE 295 39 Bromölla, Sweden.

Phone: +46 456 48660, Telefax +46 456 22690,

E-mail: larsson@larssonsweden.com, Website: www.larssonsweden.com