

Ideal Pumping of Starch Slurries

LARSSON centrifugal pump GL3H is specially designed for pumping the starch slurries and other suspensions that occur in starch production processes. The compact design of the GL3H makes it easy to place the pump even if space is restricted. The GL3H centrifugal pump can also handle slurries with a certain content of air/foam. This is unique in comparison with similar pumps.

LARSSON GL3H pump has a very wide capacity range in combination with a high grade of efficiency. The compact design includes a protective motor hood. The smooth polished surfaces permit easy exterior cleaning. The GL3H pump is equipped with an externally flushed double seal or an internally flushed single seal.

The GL3H centrifugal pump is available in different sizes in combination with motor outputs from 5.5kW up to 30 kW. The impeller is adapted to the specific flow and pressure for the process, so the GL3H can operate at optimal efficiency. The GL3H centrifugal pump is suitable both as an integrated part in hydrocyclone units or as a freestanding unit in the process.



LARSSON Centrifugal Pump GL3H

Technical Information

LARSSON centrifugal pump GL3H is fabricated completely in stainless steel.

AISI 316 (EN 1.4401) for media touched components in AISI 304 (1.4301) for non-media touched components.

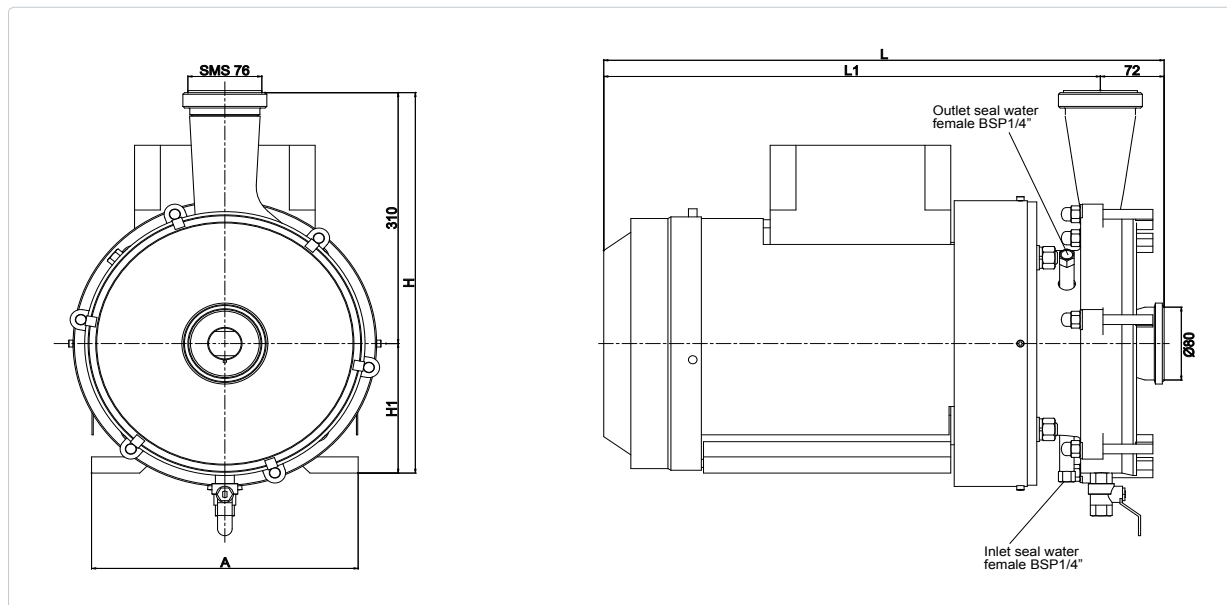
GL3H operates within the flow range of 20-90 m³/h at a pressure of 2.5 to 7 bar.

Optimal flow range is 45 to 85 m³/h.

For further technical information, contact LARSSON.

General dimensions (mm)

Model	kW	rpm	A	H1	H	L1	L
GL3H	5.5	3000	265	132	442	455	527
	7.5	3000	265	132	442	455	527
	11	3000	310	160	470	580	652
	15	3000	310	160	470	580	652
	18.5	3000	310	160	470	580	652
	22	3000	340	180	490	655	727
	30	3000	340	180	490	655	727



G. Larssons Mekaniska Verkstad AB, P.O. Box 89, SE-295 21 Bromölla, Sweden.

Visiting and delivery address: Kråkeslättsvägen 8, SE 295 39 Bromölla, Sweden.

Phone: +46 456 48660, Telefax +46 456 22690,

E-mail: larsson@larssonsweden.com, Website: www.larssonsweden.com